



Product of the Month



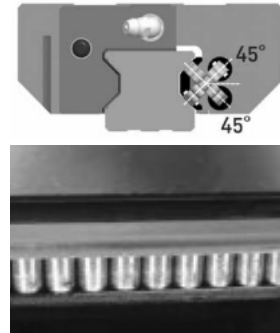
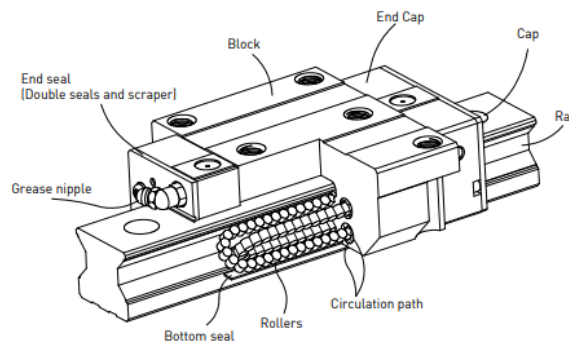
RG Series

High Rigidity Roller Type

Advantages and Features of the RG Series

- Uses Roller Bearings instead of Balls
- Designed with a 45° angle of contact
- Super High Load Capacity
- Operating Life Increased

2-9-2 Construction of RG Series



Block Types

Part Number	Model Size	Block Type	Preload	Price / Each
RGH25-CA-ZA-H	25 Series	Square	0.07C—0.09C	\$ 86.25
RGW25-CC-ZA-H	25 Series	Flange	0.07C—0.09C	\$ 86.25
RGH30-CA-ZA-H	30 Series	Square	0.07C—0.09C	\$ 99.50
RGW30-CC-ZA-H	30 Series	Flange	0.07C—0.09C	\$ 99.50

Rail Types

Part Number	Model Size	Rail Length	Mounting Type	Price / Each
RGR25-R1000-H	25 Series	1 meter	Mounting from Top	\$ 192.00
RGR25-R4000-H	25 Series	4 meter	Mounting from Top	\$ 696.00
RGR30-R1000-H	30 Series	1 meter	Mounting from Top	\$ 240.00
RGR30-R4000-H	30 Series	4 meter	Mounting from Top	\$ 872.00

10% off for the above units purchased in the month of February. Please mention this flyer when ordering